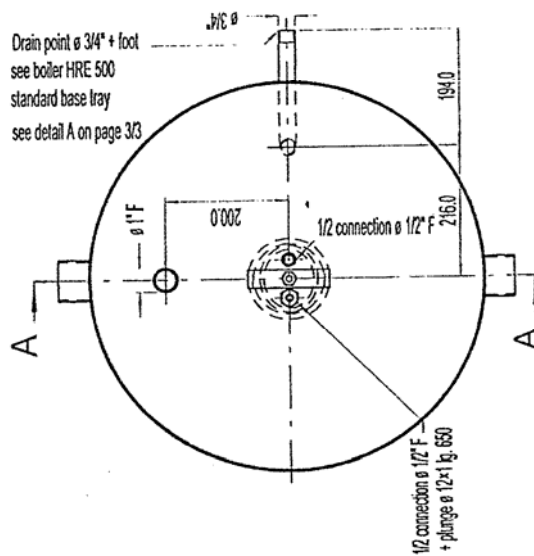


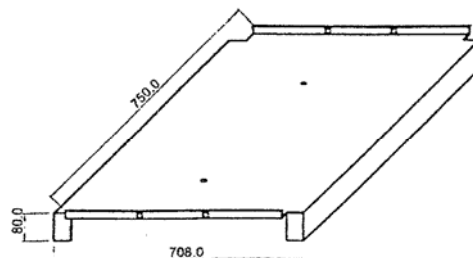
Material : inox 316 Ti (4571)
 Insulation : rigid foam th. 30 mm

WORKING PRESSURE : 8 BAR
TEST PRESSURE : 13 BAR
WEIGHT (DRY) : 133 KG
OVERALL HEIGHT : 1790 MM

Top View



Base plate



STOKVIS ENERGY SYSTEMS
 96R Walton Road East Molesey Surrey KT8 0DL
 TELEPHONE 08707 707747 · FACSIMILE 08707 707767
 Email: stokvisboilers@aol.com · Website: www.stokvisboilers.com

STOKVIS

DIMENSIONAL DETAILS
500L BUFFER VESSEL

DRAWING No.
 STK-DRW-E-EBV-004A